

UniLyft™

MACHINES
AND PARTS



UNILOCK®

Table of CONTENTS

UNILYFT MACHINES

Model L Narrow Track	3
Model PM Wide Track	4
Model P - Hydraulic	4
Model P - Petrol.....	5
Model E - Electric	5
Model Mini	6
Dealer Work Station.....	6
Unit Pallet Mover.....	7

SUCTION HEADS

Single Head	8
Double Head	9
Triple 8" x 16" Head.....	10
Triple 8" x 14" Head.....	11
Random Head	12
Artline Head	13
Hex Head	14
Pisa2 XL / Concord XL Gripper.....	15
Pisa2 XL Smooth Head	16
Promenade Head	17
Side Shift 4" x 12" Head	18
Siena Edge Head.....	19
Siena Edge Head 900mm.....	20

Thornbury Head (Legacy)	21
Thornbury Head V2	22
Treo Head	23
Umbriano 8" x 16" or 8" x 8" Head	24
Westport Head	25
2 Piece 8" x 12" Head	26
4 Piece 12" x 12" Head	27
3 Piece 12" x 12" or 16" x 16" Head.....	28
4 Piece 6" x 12" Head	29
3 Piece 12" x 12" Head	30
5 Piece Eco-Priora Head	31
8 Piece Eco-Priora Head	32
4 Piece Promenade Head	33
4 Piece 8" x 5.5" Head	34
3 Piece 6" x 12" Head	35

PARTS PRICING

Extension Tubes	36
90° Angle Adapter.....	36
Vacuum Pre Filters	36
Lifting Tube + Controller.....	37
Lifting Tube Tube Only	38
Lifting Tube Sock	38
Vacuum Hose 2" Grey	38
Miscellaneous Parts	39

Custom Suction Heads:

Ask your local Unilock Territory Manager for details.

WARRANTY

UniLyft is manufactured by Pritec Vaculyft AB follow the CE regulations and are certified under ISO 9001, ISO 14001, EN 1090-1 and EN 3834-4.

The following warranty conditions are valid for machines and parts produced by Pritec Vaculyft AB Sweden for a period of 12 months from purchasing date:

- The warranty covers any defects in parts or workmanship under normal use during the warranty period.
- The warranty covers repair and replacement of the broken part on the unit.

The Warranty **does not** cover:

- The warranty does not cover wear and tear parts such as hoses, tubes, pads and belts.
- The warranty does not cover usage that contravenes the instructions provided in the Operator's Manual.

If warranty services require more work than can be done at your work site, it must be sent to a local small equipment workshop approved by Pritec and Unilock. No freight or travel costs will be charged to you.

Neither Pritec or Unilock will be held liable for lost time or related expenses due to down time.

UniLyft MACHINES



Access tight or narrow areas.

MODEL L NARROW TRACK

PRODUCT SPECIFICATION

Part Number	841100P
Track Chassis	HINOWA PT9 / Pritec L
Engine	Vanguard 400 14hp or Honda GX390 13hp Gasoline (Both are petrol engines)
Max Lift Capacity	140kg (310 lbs)
Working Diameter	6000mm (236")
Gross Weight	From 700kg (1540 lbs)
Max Speed	3.5 km/h (2.2 mph)
Dimensions	L = 2751mm (107") W = 1050mm (41") H (min) = 2100mm (83") (Folded) H (max) = 2635mm (104")



Eliminate the need for a forklift on site.

MODEL PM WIDE TRACK

PRODUCT SPECIFICATION	
Part Number	841400P
Track Chassis	Hinowa TP2000 / Pritec PM
Engine	Vanguard 16.0 16hp petrol engines
Max Lift Capacity	140kg (310 lbs)
Working Diameter	6000mm (236")
Max Load - Forklift	1800kg (3527 lbs)
Gross Weight	1150kg (2535 lbs)
Max Speed	2.2 km/h (1.4 mph)
Dimensions	L = 2340mm (92") W = 1880mm (74") H (min) = 2100mm (83") (Folded) H (max) = 2625mm (103")



Works with most skid steers or loaders.

MODEL P (HYDRAULIC) SKID STEER ATTACHMENT

PRODUCT SPECIFICATION	
Part Number	841300H
Carrier	Skid Steer Not Included Forks included
Chassis	Pritec P
Engine	Carrier, PTO Connection Required
Max Lift Capacity	140kg (310 lbs)
Working Diameter	7000mm (275")
Gross Weight	From 400kg (881 lbs)
Dimensions	L = 1735mm (68") W = 1332mm (52") H (min) = 2030mm (80") (Folded) H (max) = 2560mm (101")



Eliminate the need for a forklift on site.



Electric Model

MODEL P (PETROL) SKID STEER ATTACHMENT

PRODUCT SPECIFICATION

Part Number	841300P
Carrier	Skid Steer Not Included Forks included
Chassis	Pritec P
Engine	Honda GX 270 petrol
Max Lift Capacity	140kg (310 lbs)
Working Diameter	7000mm (275")
Gross Weight	From 400kg (881 lbs)
Dimensions	L = 1735mm (68") W = 1332mm (52") H (min) = 2030mm (80") (Folded) H (max) = 2560mm (101")

MODEL E PLUG-IN ELECTRIC MODEL

PRODUCT SPECIFICATION

Part Number	841000-140
Chassis	Electric hand pulled on wheels
Engine	Electric powered 3-phase 460V 16A
Max Lift Capacity	140kg (310 lbs)
Working Diameter	6000mm (256")
Gross Weight	650kg (1433lbs)
Dimensions	L = 1600mm (256") W = 850mm (33.5") H (min) = 2100mm (83.1") (Folded) H (max) = 2640mm (104")

**NEW MODEL DESIGN
FOR SMALL SKID STEERS**
(Example Bobcat MT85,
PTO required)



MODEL MINI

MINI SKID STEER ATTACHMENT

PRODUCT SPECIFICATION	
Part Number	842400H
Carrier	Skid Steer Required (Not Included)
Chassis	Pritec Mini
Engine	Carrier, PTO Connection Required
Max Lift Capacity	140kg (310 lbs)
Working Diameter	5000mm (197")
Gross Weight	From 300kg (660 lbs)
Dimensions	L = 1740mm (69") W = 1150mm (45") H (min) = 1980mm (78") (Folded) H (max) = 2510mm (99")

DEALER WORK STATION

JIB CRANE

PRODUCT SPECIFICATION	
Part Number	665000-SVK (JIB CRANE)
Length crane arm	3000mm (118") radius
Total length	3800mm (150")
Width	1200mm (47")
Height	3600mm (142")
Weight including concrete block	1400kg (3086 lbs)
Max lift capacity	140kg (310 lbs)
Power	Gas or Electric (Contact Unilock for details)



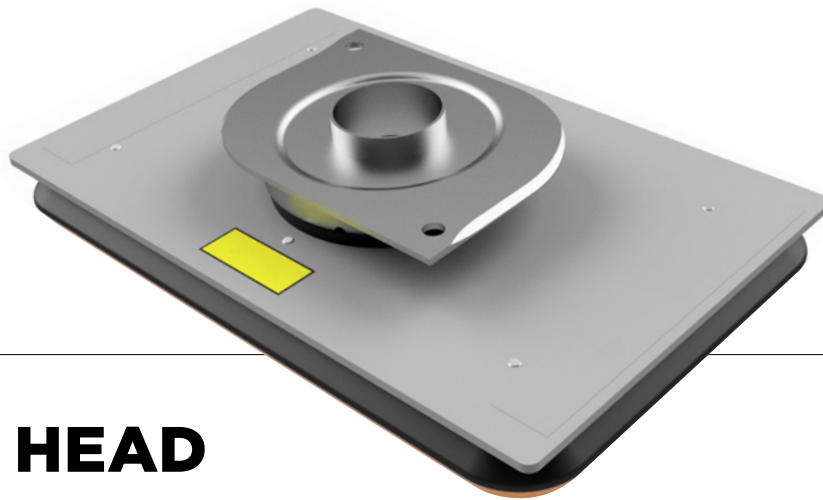
Transport a pallet of pavers with ease

UNI-PALLET MOVER

PRODUCT SPECIFICATION

Part Number	843200
Max Lift Capacity	1,500 kg (3,300 lbs)
Lifting Height	6.7" (170 mm)
Unit Weight	205 kg (450 lbs)
Unit Width	52" (1300 mm)

Suction HEADS



SINGLE HEAD

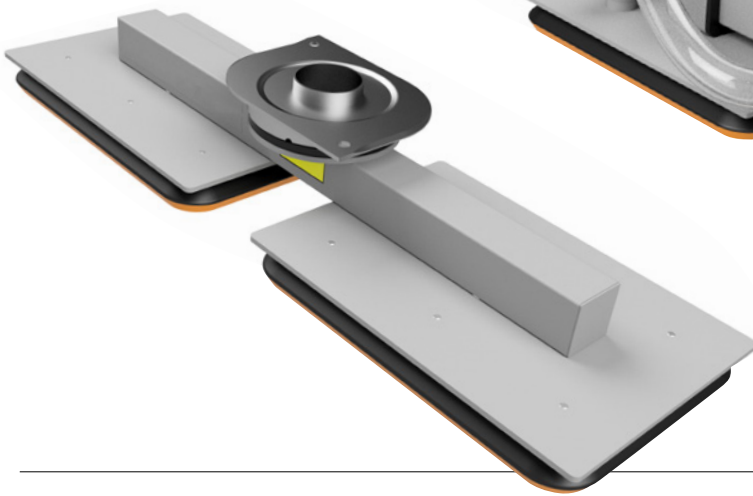
PRODUCT SPECIFICATION	
PRODUCT NAME	PART NUMBER
Complete Suction Head	841706
Black Gasket & Sponge Assembled	860039
Black Gasket (210mm x 330mm)	860039-01
Orange Sponge (210mm x 330mm)	860039-02

UNIT CAPABILITIES
<p>12" x 24"</p> <p>14" x 19"</p> <p>18" x 24"</p> <p>24" x 24"</p> <p><i>(Any single unit up to 150lbs.)</i></p>

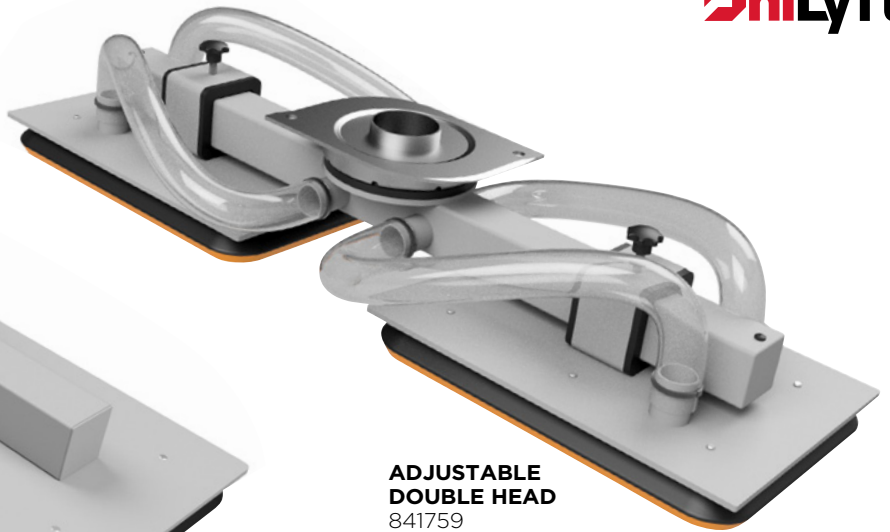
Compatible Unilock Products:

- 12" x 24": Arcana, Beacon Hill Smooth & Flagstone slabs, Natural Stone slabs, Umbriano slabs
- 14" x 19" units
- 18" x 24": Urban, Urban Allure, Arcana
- 24" x 24": Arcana, Natural Stone Skyline, Umbriano

**STANDARD
DOUBLE HEAD**
841711



**ADJUSTABLE
DOUBLE HEAD**
841759
Expands laterally



DOUBLE HEAD

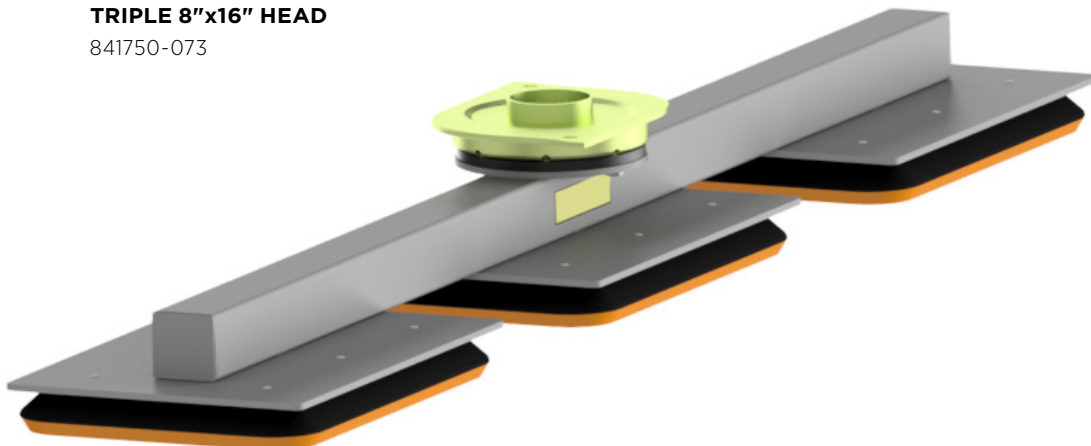
PRODUCT SPECIFICATION	
PRODUCT NAME	PART NUMBER
Standard Double Head	841711
Adjustable Double Head	841759
Black Gasket & Sponge Assembled	860037
Black Gasket (200mm x 290mm)	860037-01
Orange Sponge (200mm x 290mm)	860037-02

Compatible Unilock Products:

- 8" x 16" Series, Umbriano
- 16" x 16" Umbriano
- 8" x 24" Umbriano
- 12" x 21" Promenade
- 12" x 24": Arcana, Beacon Hill Smooth & Flagstone slabs, Natural Stone slabs, Umbriano slabs
- 24" x 24" Arcana, Natural Stone, Skyline, Umbriano
- 12" x 48" Natural Stone

UNIT CAPABILITIES	
CONFIG 1	8" x 16"
	16" x 16"
	8" x 24"
	12" x 21"
	12" x 24"
CONFIG 2	12" x 48"
	16" x 48"
	16" x 72"
	24" x 24"
	24" x 36"
ADJUSTABLE HEAD ONLY	14" x 48"
	14" x 72"

TRIPLE 8"x16" HEAD
841750-073



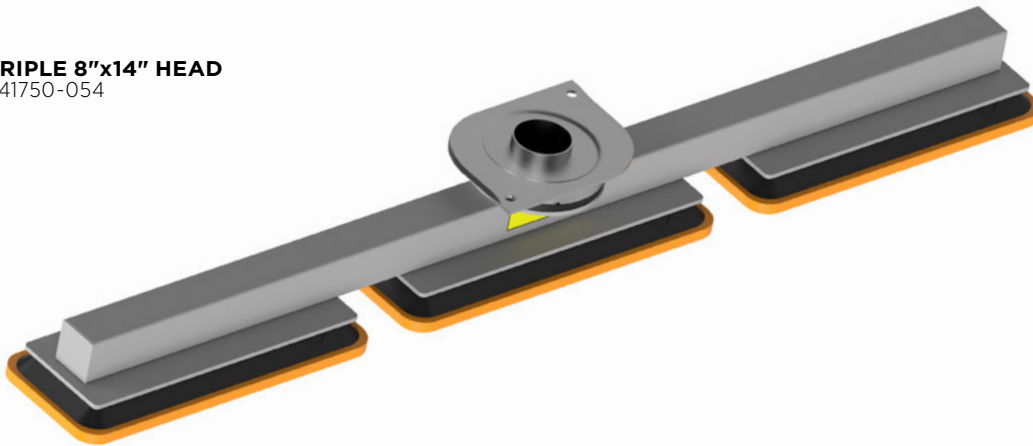
TRIPLE 8" x 16" HEAD

PRODUCT SPECIFICATION	
PRODUCT NAME	PART NUMBER
Complete Suction Head	841750-073
Black Gasket & Sponge Assembled	860037
Black Gasket (200mm x 290mm)	860037-01
Orange Sponge (200mm x 290mm)	860037-02

UNIT CAPABILITIES		
8" x 16"	8" x 16"	8" x 16"

Compatible with 8" x 16": Umbriano, Series, IL Campo, and other Unilock commercial products.

TRIPLE 8"x14" HEAD
841750-054

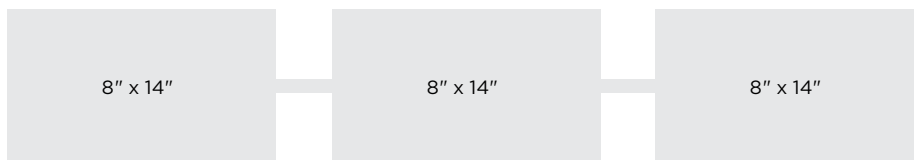


TRIPLE 8" x 14" HEAD

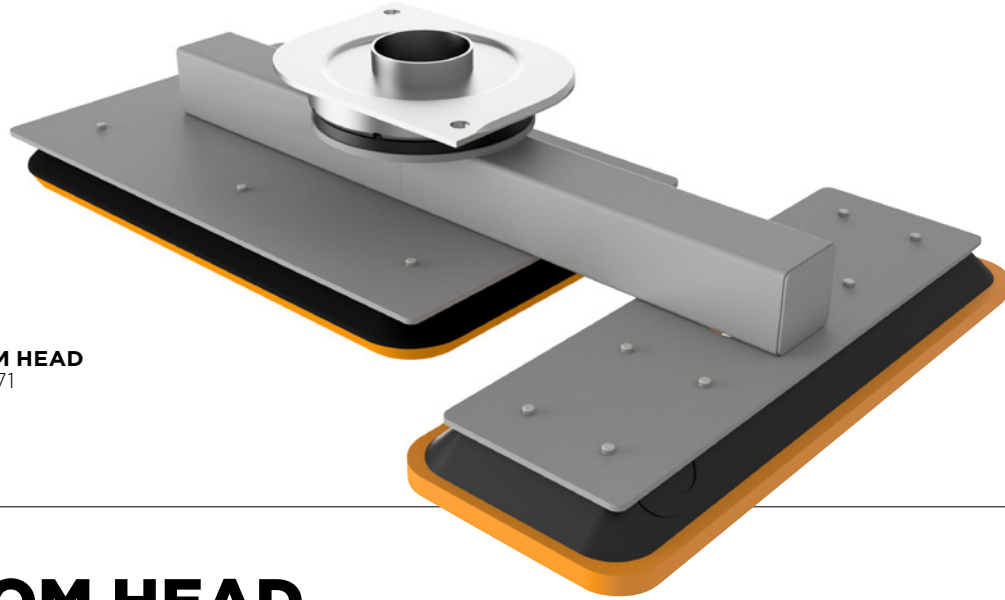
PRODUCT SPECIFICATION

PRODUCT NAME	PART NUMBER
Complete Suction Head	841750-054
Sponge Ø150	860046-02

UNIT CAPABILITIES



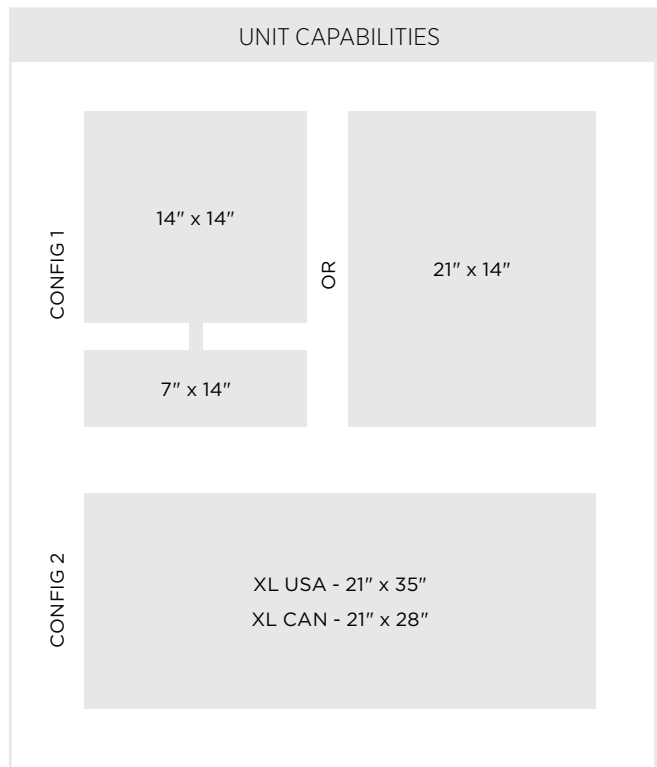
Compatible with Unilock commercial products.



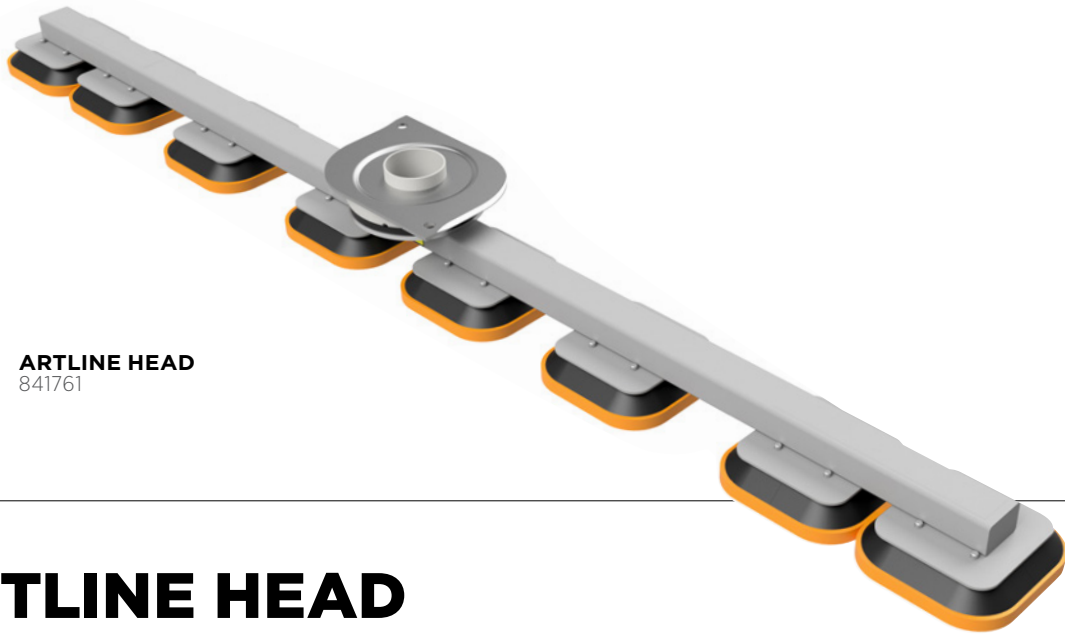
RANDOM HEAD
841750-071

RANDOM HEAD

PRODUCT SPECIFICATION	
PRODUCT NAME	PART NUMBER
Complete Suction Head	841750-071
Black Gasket & Sponge Assembled	860039
Black Gasket (210mm x 330mm)	860039-01
Orange Sponge (210mm x 330mm)	860039-02
Gasket Ø150	860046-01
Black Gasket & Sponge Assembled	860048
Black Gasket (120mm x 315mm)	860048-01
Orange Sponge (120mm x 315mm)	860048-02



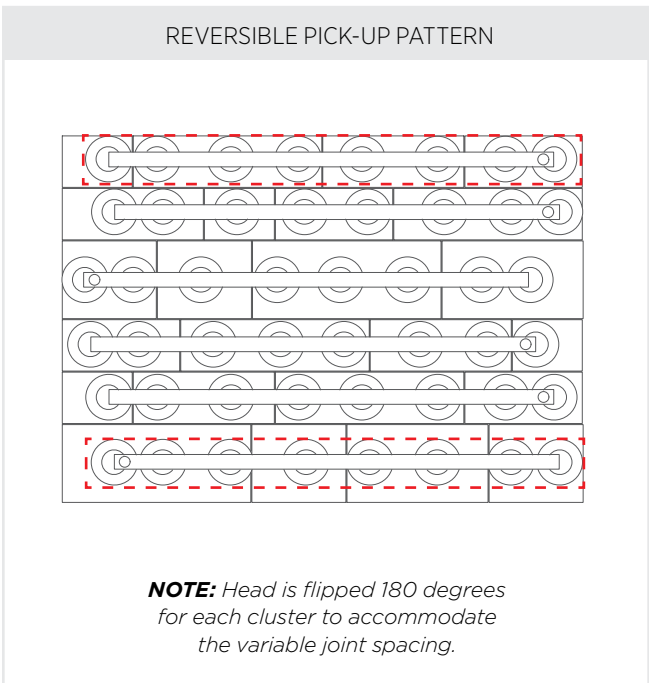
Compatible Unilock products with a Random Bundle configuration such as: Beacon Hill, Series 3000, Umbriano, Bristol Valley and Windermere



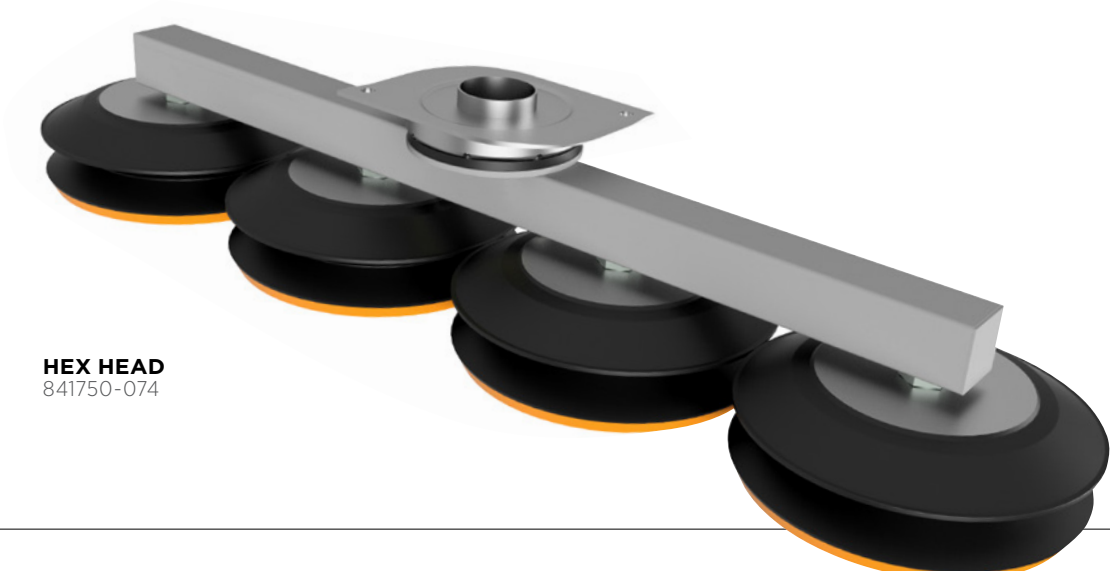
ARTLINE HEAD
841761

ARTLINE HEAD

PRODUCT SPECIFICATION	
PRODUCT NAME	PART NUMBER
Complete Suction Head	841761
Black Gasket & Sponge Assembled	860070
Black Gasket (85mm x 85mm)	860070-01
Orange Sponge (85mm x 85mm)	860070-02



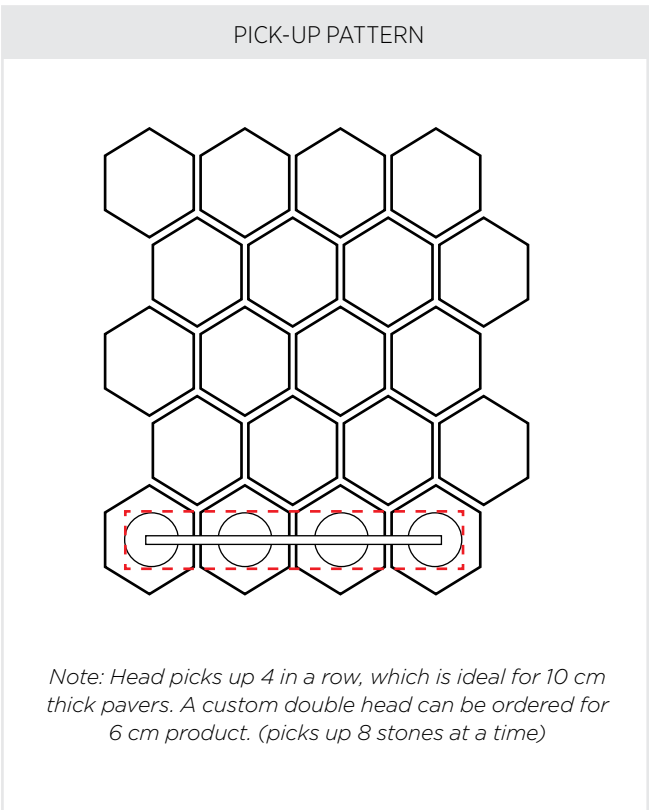
Compatible with: Artline products.



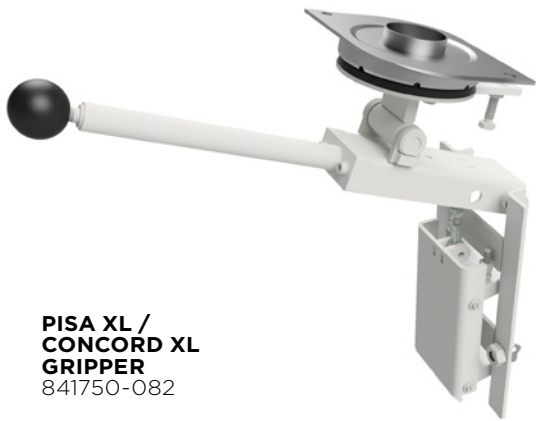
HEX HEAD
841750-074

HEX HEAD

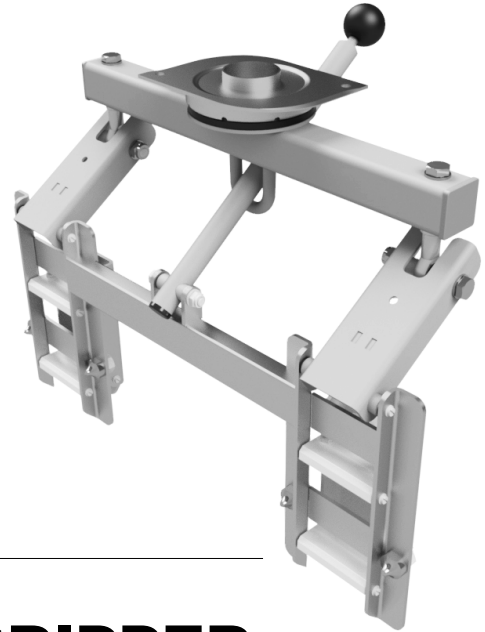
PRODUCT SPECIFICATION	
PRODUCT NAME	PART NUMBER
Complete Suction Head	841750-074
Black Gasket & Sponge Assembled	860050
Black Gasket	860050-01
Orange Sponge	860050-02



Compatible with: 8" x 8" Hex products.



**PISA XL /
CONCORD XL
GRIPPER**
841750-082



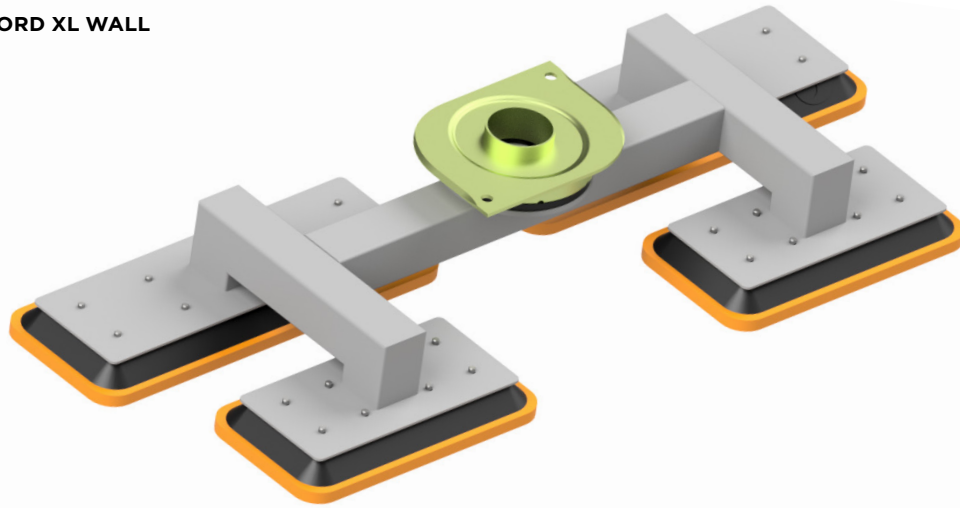
**PISA XL / CONCORD
XL DOUBLE GRIPPER**
841750-086

PISA XL / CONCORD XL GRIPPER

PRODUCT SPECIFICATION	
PRODUCT NAME	PART NUMBER
Pisa XL / Concord XL Gripper	841750-082
Pisa XL / Concord XL Double Gripper	841750-086

Compatible with: 16" x 6" Pisa XL, Concord XL

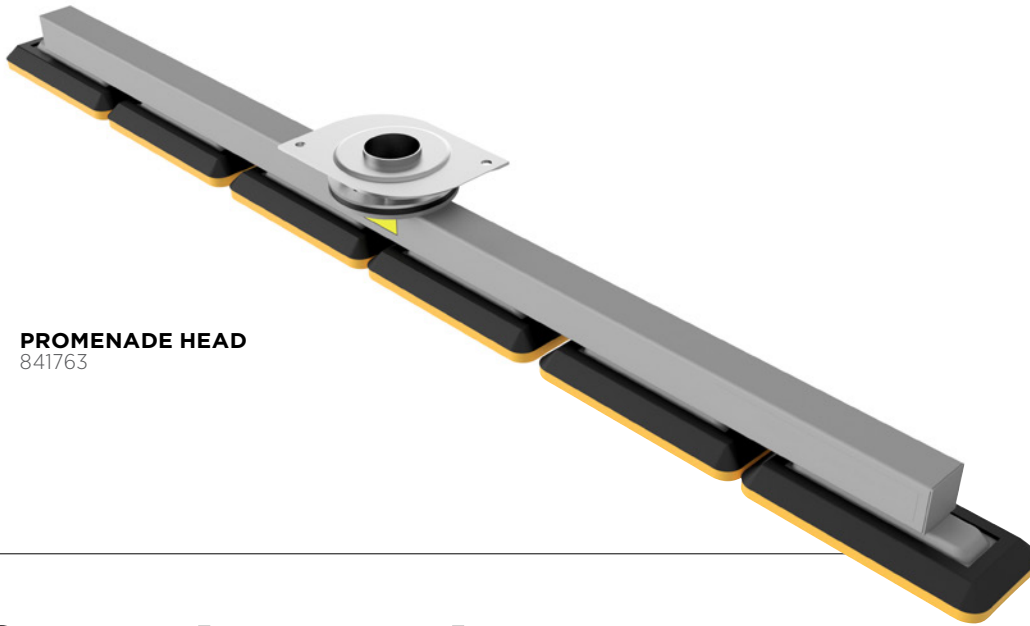
PISA XL / CONCORD XL WALL
841750-111



PISA XL HEAD

PRODUCT SPECIFICATION	
PRODUCT NAME	PART NUMBER
Suction Head	841750-111
Black Gasket (120mm x 315mm)	860048-01
Orange Sponge (120mm x 315mm)	860048-02

Compatible with: Pisa Smooth XL, Pisa XL/Concord XL standard units.



PROMENADE HEAD
841763

PROMENADE HEAD

PRODUCT SPECIFICATION	
PRODUCT NAME	PART NUMBER
Complete Suction Head	841763
Black Gasket & Sponge Assembled	860038
Black Gasket (90mm x 200mm)	860038-01
Orange Sponge (80mm x 200mm)	860038-02

UNIT CAPABILITIES		
CONFIG 1		
4" x 8"	4" x 8"	4" x 8"
4" x 8"	4" x 8"	4" x 8"
CONFIG 2		
4" x 16" 8" X 16"	4" x 16" 8" X 16"	4" x 16" 8" X 16"

Compatible with: Promenade 4" x 8", 4" x 16", 8" x 16" bundles

SIDE SHIFT 4" x 12" HEAD
841750-103



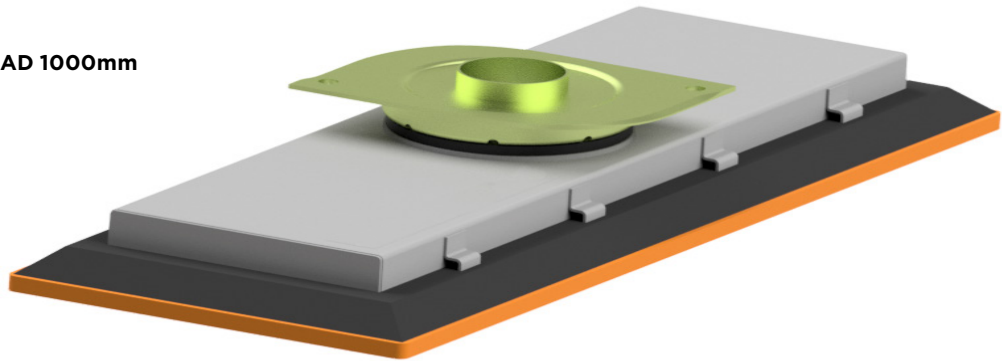
SIDE SHIFT 4" x 12" HEAD

PRODUCT SPECIFICATION	
PRODUCT NAME	PART NUMBER
Complete Suction Head	841750-103
Black Gasket & Sponge Assembled	860038
Black Gasket (200mm x 290mm)	860038-01
Orange Sponge (200mm x 290mm)	860038-02

UNIT CAPABILITIES			
4" x 12"	4" x 12"	4" x 12"	4" x 12"
4" x 12"	4" x 12"	4" x 12"	4" x 12"

Compatible with: 4" x 12" Promenade and Series products.

SIENA EDGE HEAD 1000mm
841750-098



SIENA EDGE HEAD 1000mm

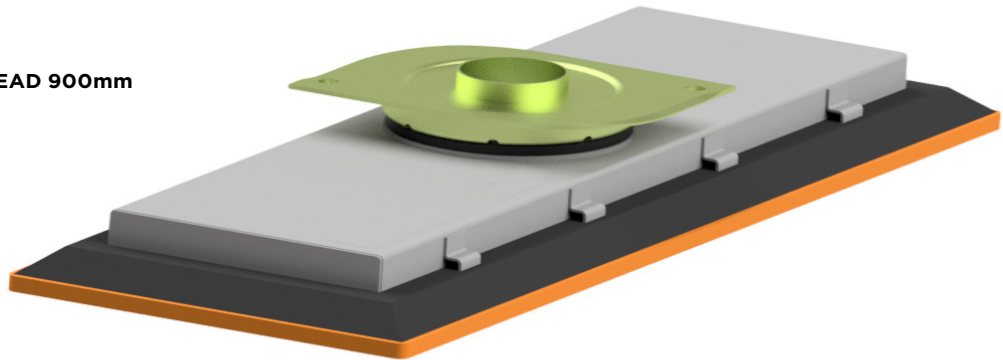
PRODUCT SPECIFICATION	
PRODUCT NAME	PART NUMBER
Complete Suction Head	841750-098
Black Gasket & Sponge Assembled	841750-098-02

NOTE: Please contact us for pricing information.

UNIT CAPABILITIES
39" x 11"

Compatible with Siena Edge products that are 1000mm in length.

SIENA EDGE HEAD 900mm
8417069



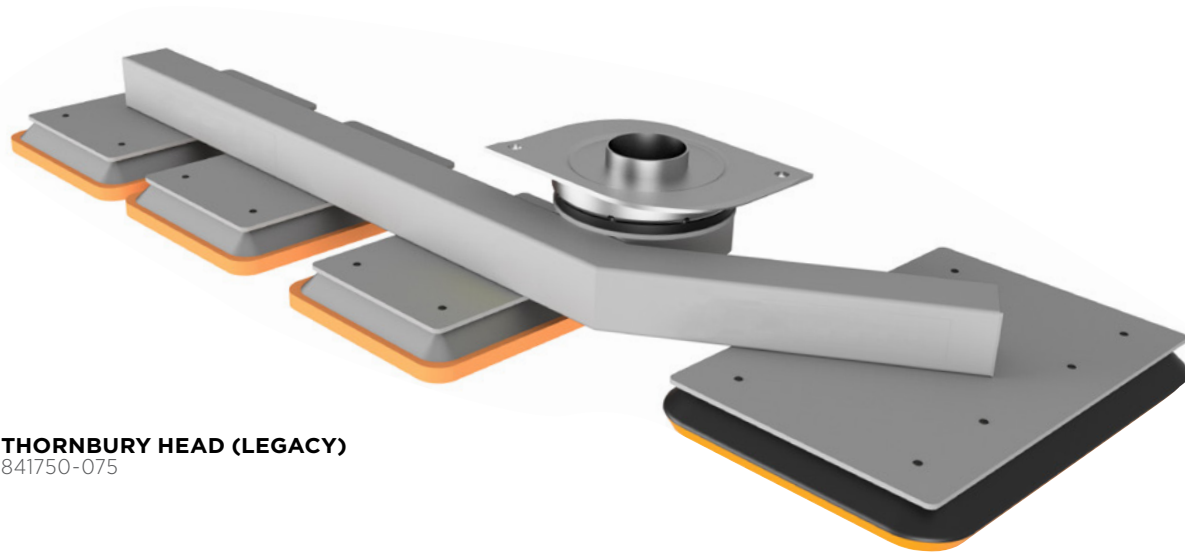
SIENA EDGE HEAD 900mm

PRODUCT SPECIFICATION	
PRODUCT NAME	PART NUMBER
Complete Suction Head	8417069
Black Gasket & Sponge Assembled	841555-044

NOTE: Please contact us for pricing information.

UNIT CAPABILITIES
35" x 11"

Compatible with Siena Edge products that are 900mm in length.



THORNBURY HEAD (LEGACY)
841750-075

THORNBURY HEAD (LEGACY)

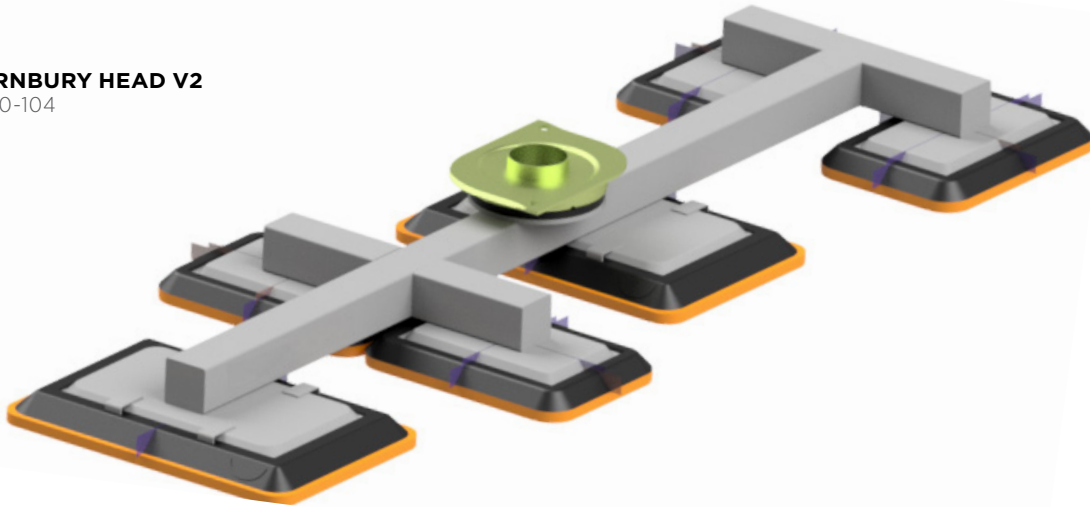
PRODUCT SPECIFICATION	
PRODUCT NAME	PART NUMBER
Complete Suction Head	841750-075
Gasket with sponge Ø110	860030
Gasket Ø110	860030-01
Black Gasket & Sponge Assembled	860037
Black Gasket (200mm x 290mm)	860037-01
Orange Sponge (200mm x 290mm)	860037-02
Black Gasket & Sponge Assembled	860027
Black Gasket (150mm x 210mm)	860027-01
Orange Sponge (150mm x 210mm)	860027-02

LAYING PATTERN

BUNDLE LAYOUT

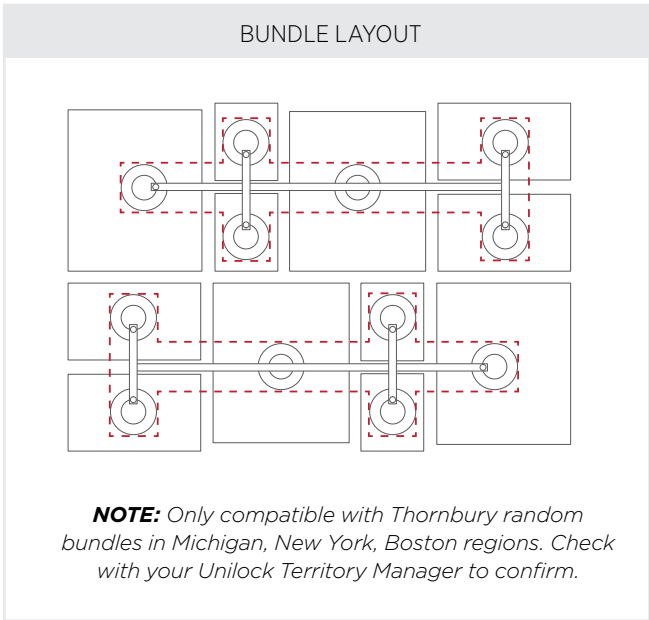
NOTE: Only compatible with Thornbury random bundles in Ohio. Check with your Unilock Territory Manager.

THORNBURY HEAD V2
841750-104

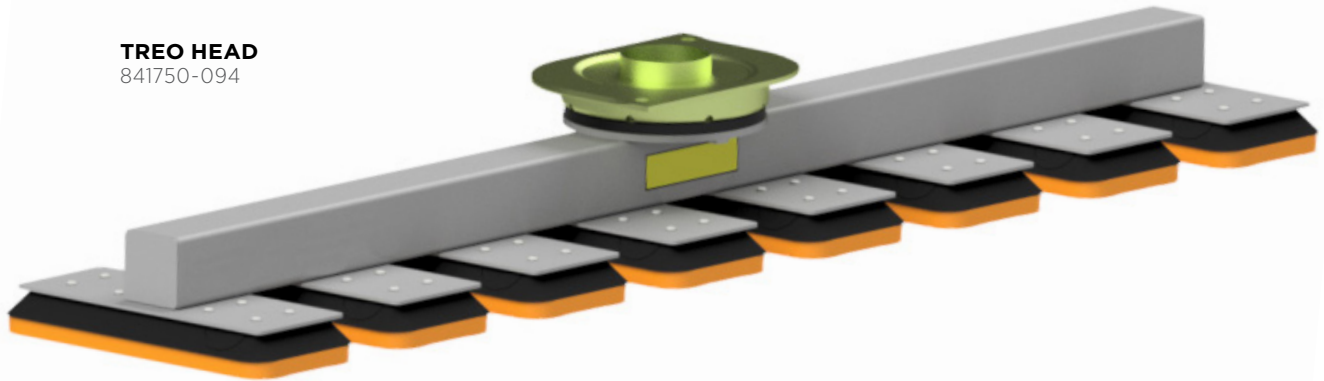


THORNBURY HEAD V2

PRODUCT SPECIFICATION	
PRODUCT NAME	PART NUMBER
Complete Suction Head	841750-104
Black Gasket & Sponge Assembled	860037
Black Gasket (200mm x 290mm)	860037-01
Orange Sponge (200mm x 290mm)	860037-02
Black Gasket & Sponge Assembled	860027
Black Gasket (150mm x 210mm)	860027-01
Orange Sponge (150mm x 210mm)	860027-02



TREO HEAD
841750-094

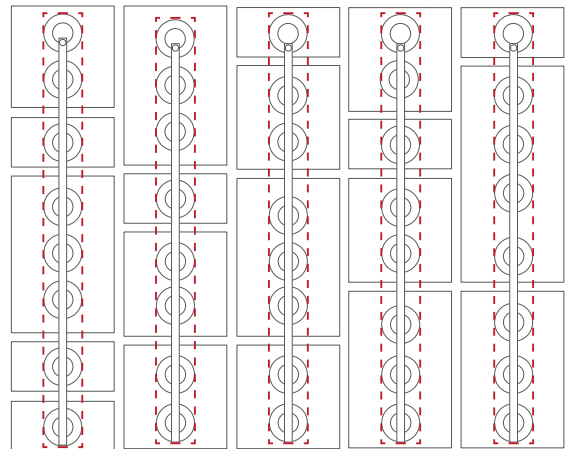


TREO HEAD

PRODUCT SPECIFICATION

PRODUCT NAME	PART NUMBER
Suction Head	841750-094
Black Gasket & Sponge Assembled	860038
Black Gasket (90mm x 200mm)	860038-01
Orange Sponge (80mm x 200mm)	860038-02

UNIT CAPABILITIES



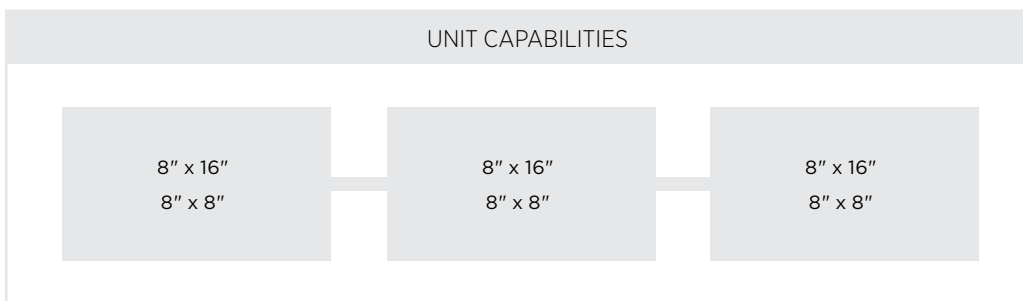
Compatible with Treo random bundles.

**UMBRIANO 8" x 16" or
8" x 8" HEAD**
841758

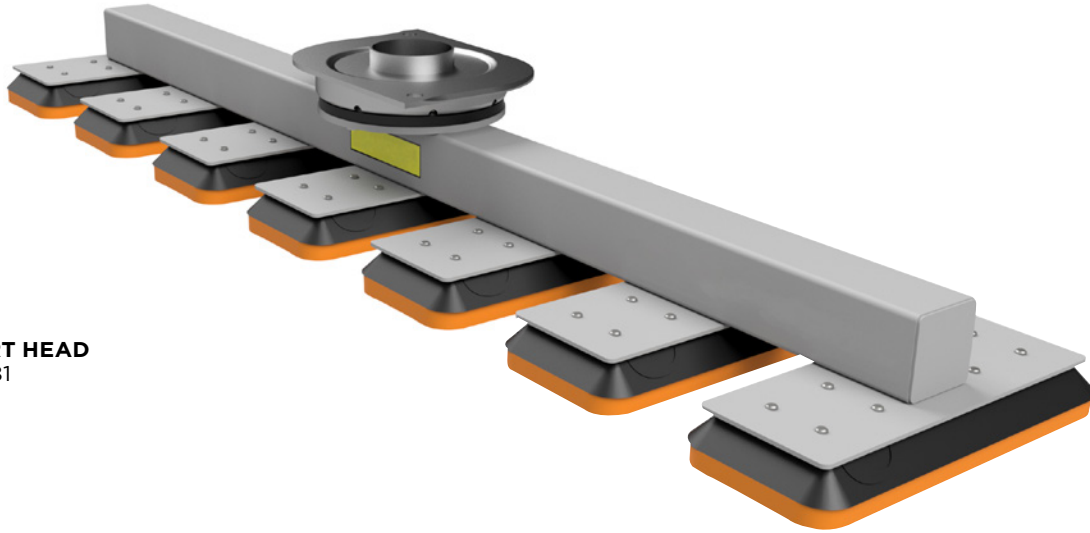


UMBRIANO 8" x 16" or 8" x 8" HEAD

PRODUCT SPECIFICATION	
PRODUCT NAME	PART NUMBER
Complete Suction Head	841758
Gasket with Sponge Ø150	860046
Gasket Ø150	860046-01
Sponge Ø150	860046-02



Compatible with: 8" x 16" Umbriano, Series and 8" x 8" Umbriano products



WESTPORT HEAD
841750-081

WESTPORT HEAD

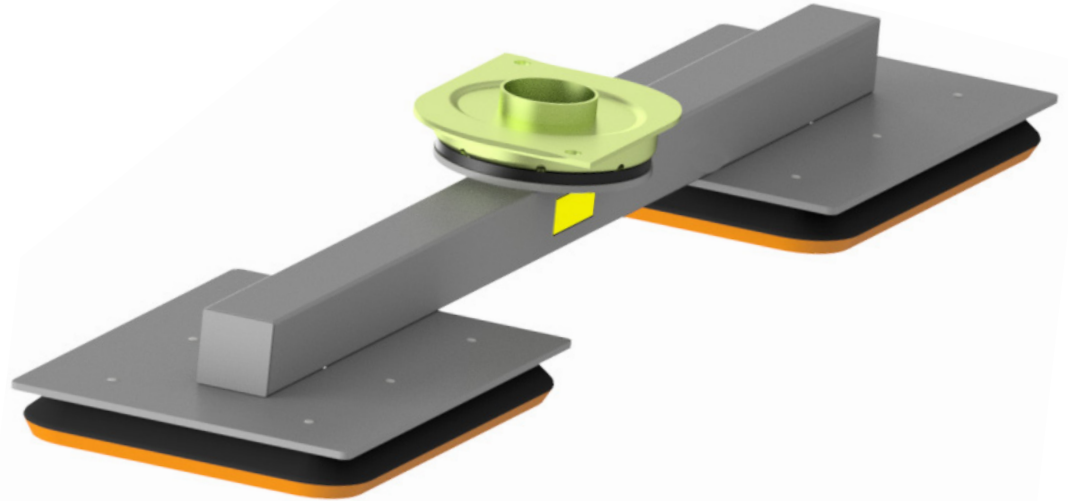
PRODUCT SPECIFICATION	
PRODUCT NAME	PART NUMBER
Complete Suction Head	841750-081
Black Gasket & Sponge Assembled	860038
Black Gasket	860038-01
Orange Sponge	860038-02

Compatible with Westport random bundle.

UNIT CAPABILITIES

NOTE: We recommend that the clusters are installed in a random running bond herringbone pattern or cluster.

2 PIECE 8" x 12"
841765

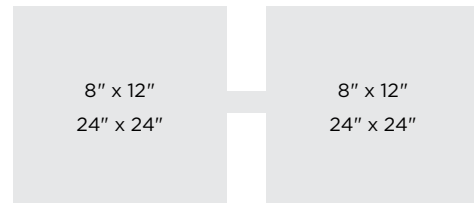


2 PIECE 8" x 12" HEAD

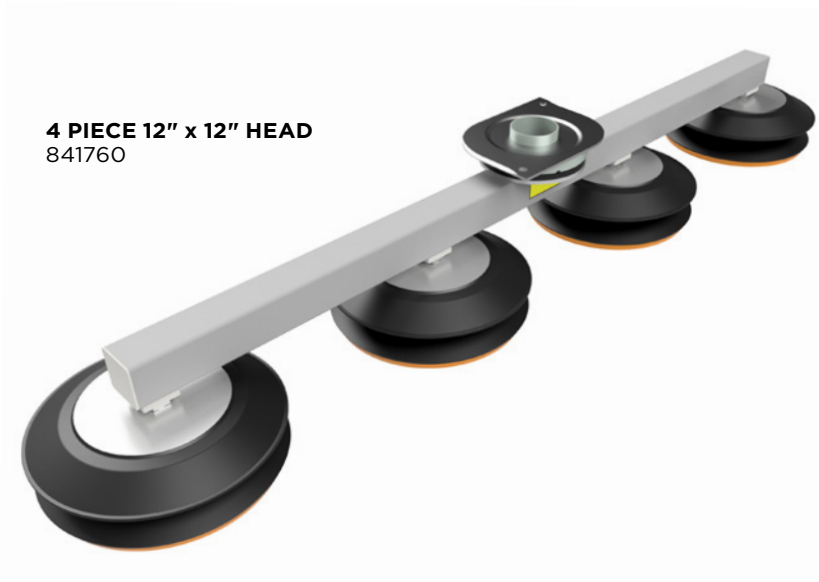
PRODUCT SPECIFICATION

PRODUCT NAME	PART NUMBER
Complete Suction Head	841765
Black Gasket & Sponge Assembled	860037
Black Gasket (200mm x 290mm)	860037-01
Orange Sponge (200mm x 290mm)	860037-02

UNIT CAPABILITIES



Compatible with Unilock commercial products, 24" x 24" Arcana, Natural Stone, Skyline, Umbriano



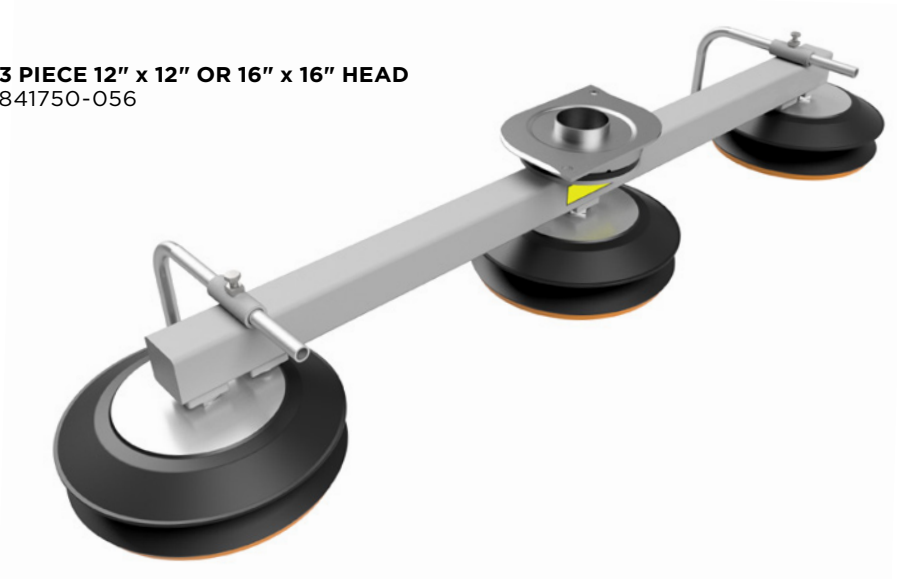
4 PIECE 12" x 12" HEAD

PRODUCT SPECIFICATION	
PRODUCT NAME	PART NUMBER
Complete Suction Head	841760
Black Gasket with Sponge Assembled	860050
Black Gasket	860050-01
Orange Sponge (200mm x 290mm)	860050-02 x

UNIT CAPABILITIES			
CONFIG 1	12" x 12"	12" x 12"	12" x 12"
CONFIG 2	12" x 24"		12" x 24"

Compatible with Unilock Commercial products.

3 PIECE 12" x 12" OR 16" x 16" HEAD
841750-056



3 PIECE 12" x 12" or 16" x 16" HEAD

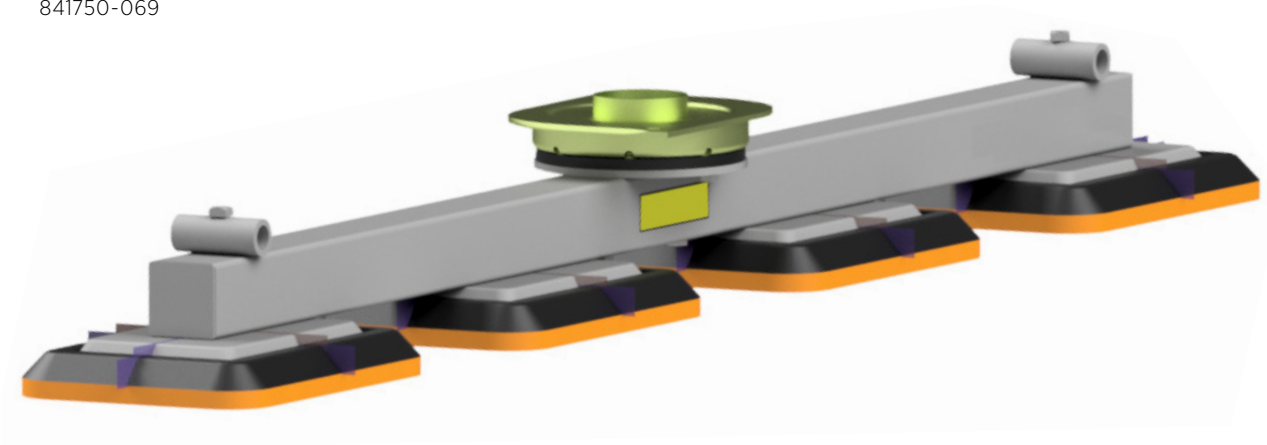
PRODUCT SPECIFICATION	
PRODUCT NAME	PART NUMBER
Complete Suction Head	841750-056
Black Gasket & Sponge Assembled	860050
Black Gasket	860050-01
Orange Sponge	860050-02

UNIT CAPABILITIES		
16" x 16" 12" x 12"	16" x 16" 12" x 12"	16" x 16" 12" x 12"

Compatible with 16" x 16" Umbriano, 12" x 12" Coping, and Unilock commercial products.

4 PIECE 6" x 12" HEAD

841750-069



4 PIECE 6" x 12" HEAD

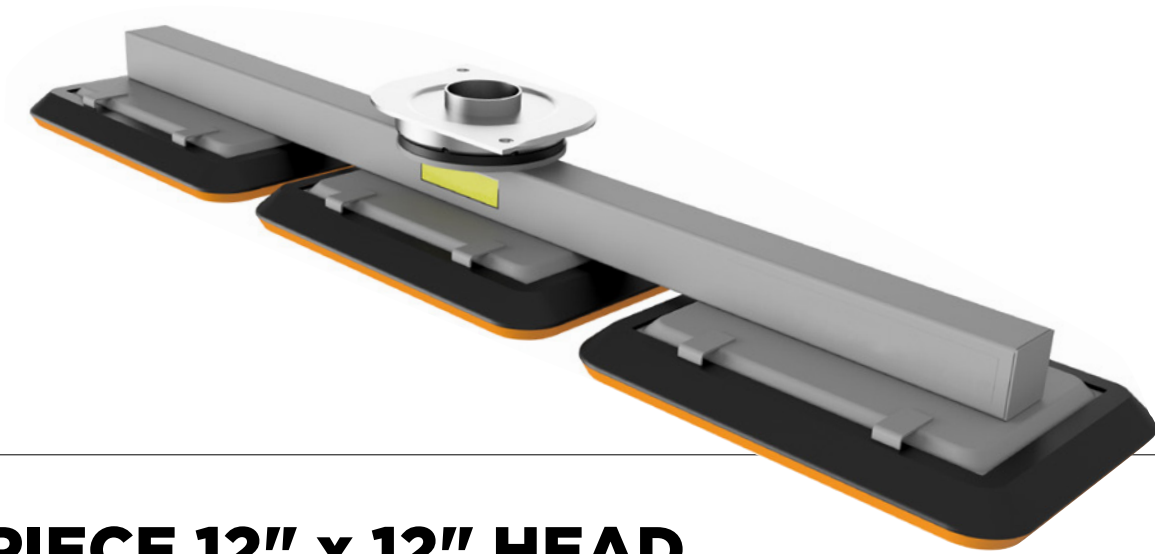
PRODUCT SPECIFICATION	
PRODUCT NAME	PART NUMBER
Complete Suction Head	841750-069
Black Gasket & Sponge Assembled	860027
Black Gasket (150mm x 210mm)	860027-01
Orange Sponge (150mm x 210mm)	860027-02

UNIT CAPABILITIES			
6" x 12"	6" x 12"	6" x 12"	6" x 12"

Compatible with 6" x 12" Northshore, Fullnose Coping

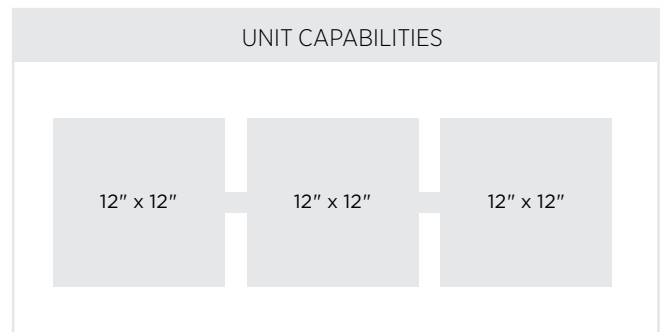


3 PIECE 12" x 12" HEAD
841750-072

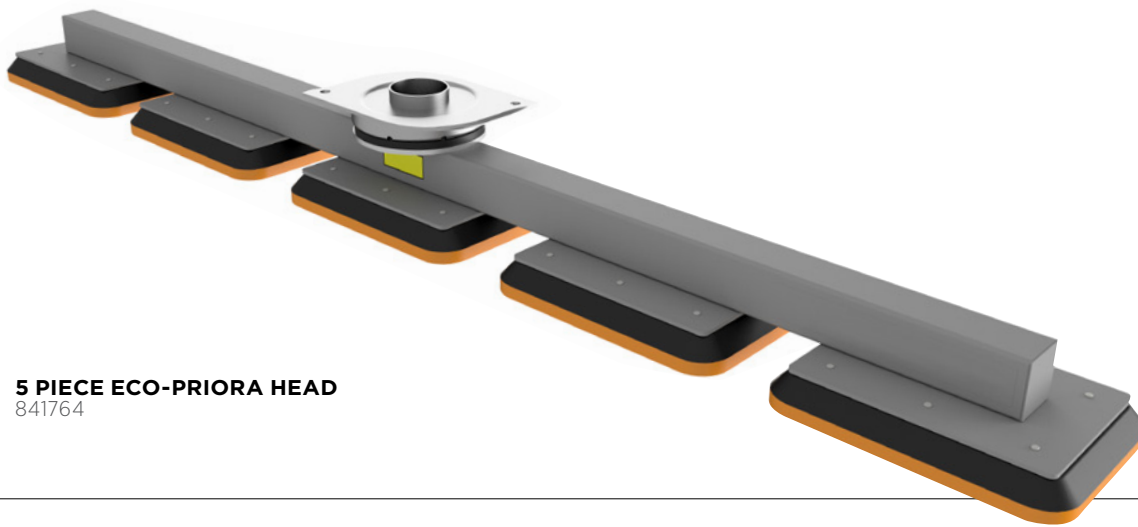


3 PIECE 12" x 12" HEAD

PRODUCT SPECIFICATION	
PRODUCT NAME	PART NUMBER
Complete Suction Head	841750-072
Black Gasket & Sponge Assembled	860037
Black Gasket (200mm x 290mm)	860037-01
Orange Sponge (200mm x 290mm)	860037-02



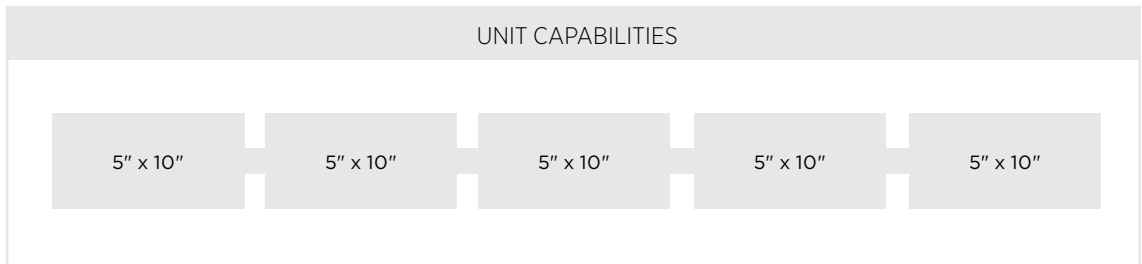
Compatible with Europaver commercial product.



5 PIECE ECO-PRIORA HEAD
841764

5 PIECE ECO-PRIORA HEAD

PRODUCT SPECIFICATION	
PRODUCT NAME	PART NUMBER
Complete Suction Head	841764
Black Gasket & Sponge Assembled	860027
Black Gasket	860027-01
Orange Sponge	860027-02



Compatible with Eco-Priora products in the 5" x 10" size.

8 PIECE ECO-PRIORA HEAD
841750-105

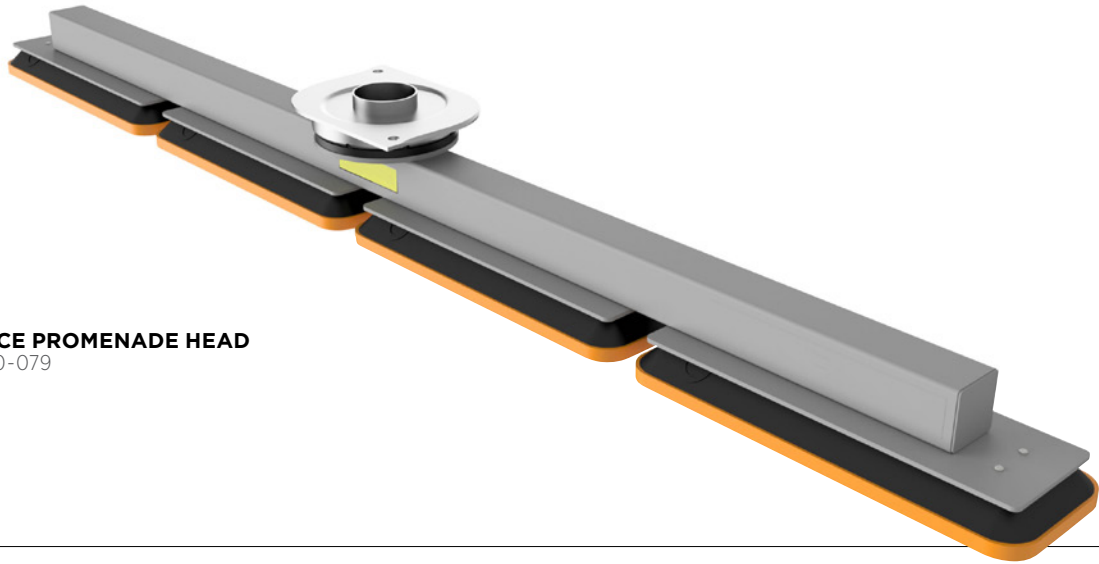


8 PIECE ECO-PRIORA HEAD

PRODUCT SPECIFICATION	
PRODUCT NAME	PART NUMBER
Complete Suction Head	841750-105
Black Gasket & Sponge Assembled	860038
Black Gasket (200mm x 290mm)	860038-01
Orange Sponge (200mm x 290mm)	860038-02

UNIT CAPABILITIES							
5" x 10"	5" x 10"	5" x 10"	5" x 10"	5" x 10"	5" x 10"	5" x 10"	5" x 10"

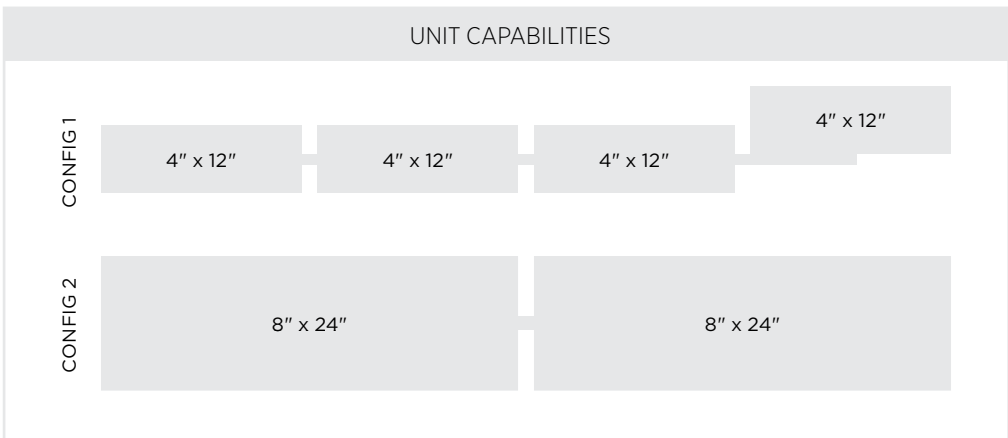
Compatible with Eco-Priora products.



4 PIECE PROMENADE HEAD
841750-079

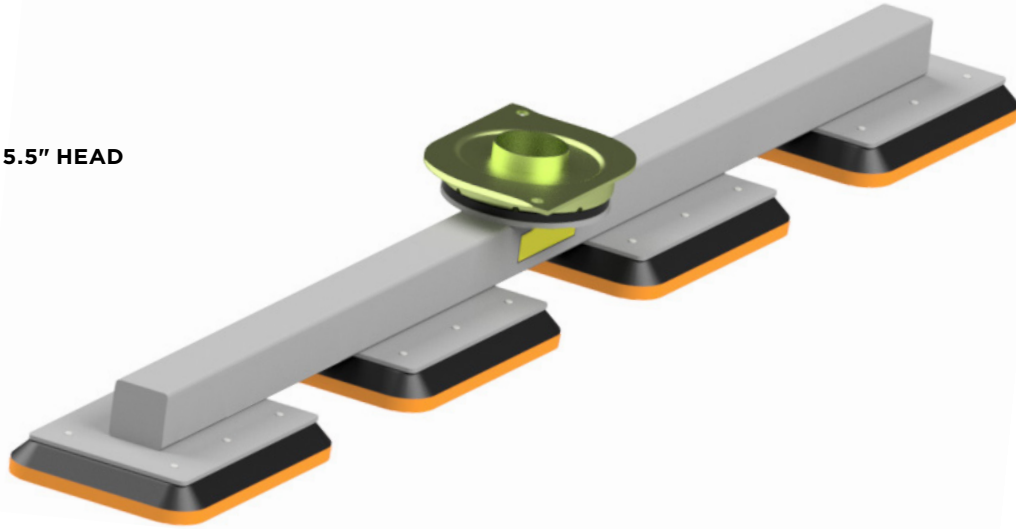
4 PIECE PROMENADE HEAD

PRODUCT SPECIFICATION	
PRODUCT NAME	PART NUMBER
Suction Head	841750-079
Black Gasket & Sponge Assembled	860086
Black Gasket	860086-01
Orange Sponge	860086-02



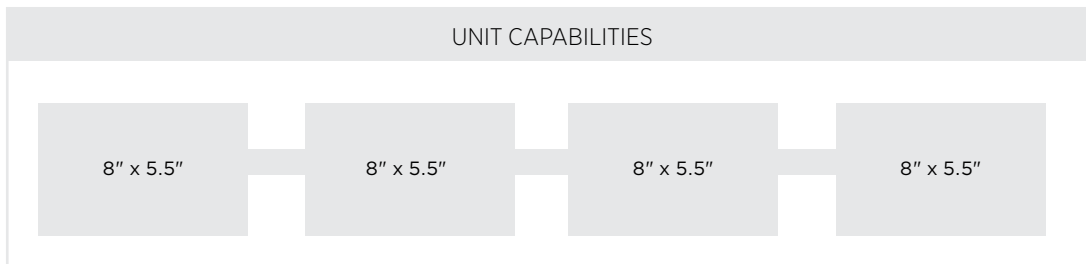
Compatible with Promenade 4" x 12" or 8" x 24" products

4 PIECE 8" x 5.5" HEAD
841750-085



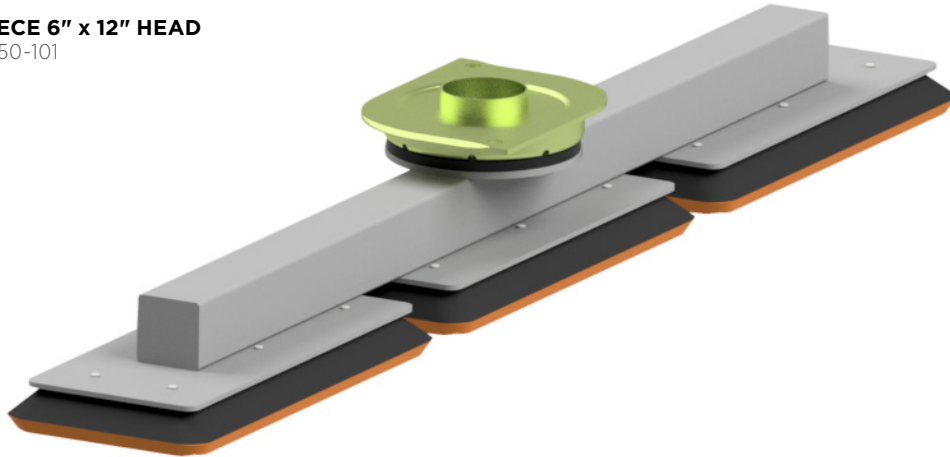
4 PIECE 8" x 5.5" HEAD

PRODUCT SPECIFICATION	
PRODUCT NAME	PART NUMBER
Suction Head	841750-079
Black Gasket & Sponge Assembled	860027
Black Gasket (150mm x 210mm)	860027-01
Orange Sponge (150mm x 210mm)	860027-02



Compatible with Unilock products.

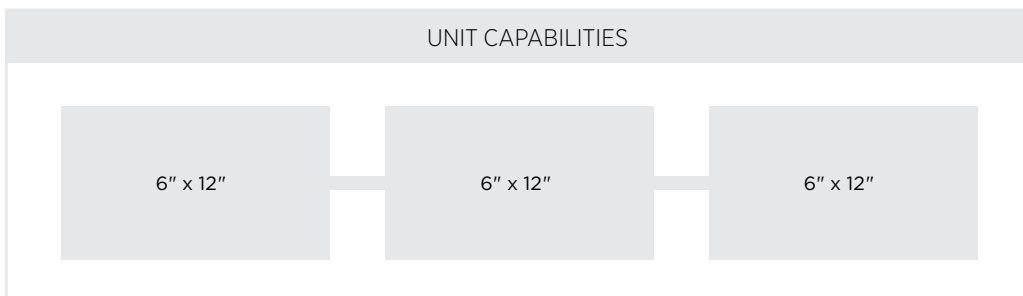
3 PIECE 6" x 12" HEAD
841750-101



3 PIECE 6" x 12" HEAD

PRODUCT SPECIFICATION	
PRODUCT NAME	PART NUMBER
Complete Suction Head	841750-101
Black Gasket & Sponge Assembled	841750-041
Black Gasket	CALL
Orange Sponge	CALL

NOTE: Please contact us for pricing information.



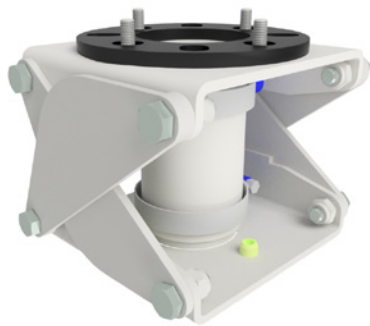
Compatible with Unilock commercial products in the size 6" x 12".

Parts



EXTENSION TUBES

PART NUMBER	DESCRIPTION
841429-200	Extension with quick disconnect (200 mm)
841429-460	Extension with quick disconnect (460 mm)



90° ANGLE ADAPTER

PART NUMBER	DESCRIPTION
641009	90° Angle Adapter (for vertically stacked slabs)



VACUUM PRE FILTERS

PART NUMBER	DESCRIPTION
841619	Filter Vaculyft PM, SM1500, P
841833	Filter Vaculyft L, E
AG17210ZE3505	Air Filter Honda GX390
HI04130500	Hydraulic Filter



LIFTING TUBE

COMPLETE ASSEMBLY (WITHOUT CONTROLLER)

PART NUMBER	DESCRIPTION
640465	Lifting tube unit Ø140 std
640475	Lifting tube unit Ø160 std
640485	Lifting tube unit Ø180 std
640495	Lifting tube unit Ø200 std
640498	Lifting tube unit Ø230 std
640505	Lifting tube unit Ø250 std
640714	Prilift 140 Tubelifter
640716	Prilift 160 Tubelifter
640718	Prilift 180 Tubelifter
640720	Prilift 200 Tubelifter
640723	Prilift 230 Tubelifter
640725	Prilift 250 Tubelifter
640730	Prilift 300 Tubelifter

LIFTING TUBE TUBE ONLY

PART NUMBER	DESCRIPTION
640460	Lifting tube Ø140 std
640470	Lifting tube Ø160 std
640480	Lifting tube Ø180 std
640490	Lifting tube Ø200 std
640497	Lifting tube Ø230 std
640500	Lifting tube Ø250 std
640510	Lifting tube Ø300 std

LIFTING TUBE SOCK

PART NUMBER	DESCRIPTION
640580-140	Cover sock Ø140
640580-160	Cover sock Ø160
640580-180	Cover sock Ø180
640580-200	Cover sock Ø200
640580-230	Cover sock Ø230
640580-250	Cover sock Ø250
640580-300	Cover sock Ø300

VACUUM HOSE 2" GREY

PART NUMBER	DESCRIPTION
841063-1150	Vacuum hose 2" gray
841063	Vacuum hose 2" for Vaculyft L & E In
841063-1350	Vacuum hose 2" for Vaculyft PM In
841063-1700	Vacuum hose 2" for Vaculyft PM, L & E Out
841063-1900	Vacuum hose 2" for Vaculyft P In & Out

MISCELLANEOUS PARTS

PART NUMBER	DESCRIPTION
640000	Suction raise and lower Controller Unit
641001	Quick disconnection, Lower
841318	Quick disconnection upper w.s
641007	Seal Quick disconnection
641008	O-ring quick connection
841429-200	Extension with quick disconnect 200
841429-460	Extension with quick disconnect 460
640050	Adjustment without load, kit
841191	Adhesive anti-skid
841180-02	Poly-V Belt PJ 457-8
841480-05	Poly-V Belt PJ483 -8 Ribs
XB4BS8444	Emergency Stop
841316	Lower part of plumb bob
841317	Upper Part of Plumb
841477	Manual Rack
841185	Plastic cover steering console
841131	Plastic side cover Vaculyft L
841116-50	Spring for operator platform
HI1670390002	Throttle potentiometer
841336	Transport hook for vacuum lifter
841447	Hanging point Vaculyft
840503	Hose clamp 44-56mm
841421-02	Winch belt
700PS618	Textile tape black
DJW12-33	Battery 12V 33AH
841473-01	Hydraulic motor 8cc
841756-001	Vacuumeter test unit

CUSTOM HEADS READILY AVAILABLE **FOR LIFTING ALMOST ANYTHING!**

- ✓ Small or Large
- ✓ Exposed Aggregate
- ✓ Smooth or Rough
- ✓ Patterned
- ✓ Textured Designs
- ✓ Natural Stone



CONTACT US FOR MORE INFORMATION

Exclusive UniLyft Distributor

UNILOCK®

UNILOCK.COM | 1-800-UNILOCK