
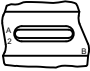
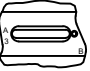
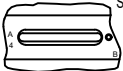

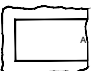






# RIVERCREST®

## RETAINING WALL SYSTEM

REF: Detail\_Rivercrest\_System Components

| RIVERCREST® System Units  | Face Width  | Back Width  | Height | Depth      | Weight        |
|---|-------------|-------------|--------|------------|---------------|
|  Standard No. 1 Unit | 6.3"        | 8"          | 2.25"  | 9-10"      | 9.4 lbs       |
|   | 160 mm      | 200 mm      | 57 mm  | 230-250 mm | 4.3 kg        |
|  Standard No. 2 Unit | 6.3"        | 12"         | 2.25"  | 9-10"      | 14.7 lbs      |
|   | 270 mm      | 310 mm      | 57 mm  | 230-250 mm | 6.7 kg        |
|  Standard No. 3 Unit | 6.3"        | 12"         | 2.25"  | 9-10"      | 14.7 lbs      |
|   | 270 mm      | 310 mm      | 57 mm  | 230-250 mm | 6.7 kg        |
|  Standard No. 4 Unit | 15"         | 16.5"       | 2.25"  | 9-10"      | 20.6 lbs      |
|   | 380 mm      | 420 mm      | 57 mm  | 230-250 mm | 9.4 kg        |
|  Long Coping       | 22"         | 22"         | 2.25"  | 11"        | 45 lbs        |
|   | 560 mm      | 560 mm      | 57 mm  | 280 mm     | 20.5 kg       |
|  Corner Unit       | 18"15"      | 18"15"      | 2.25"  | 9-10"      | 29 lbs/25 lbs |
|   | 450mm/375mm | 450mm/375mm | 57 mm  | 230-250 mm | 13 kg/11 kg   |

| RIVERCREST® System Units   | Face Width | Back Width | Height | Depth      | Weight  |
|--|------------|------------|--------|------------|---------|
|  Jumper No. 1 Unit  | 6.3"       | 8"         | 4.5"   | 9-10"      | 30 lbs  |
|  | 160 mm     | 200 mm     | 114 mm | 230-250 mm | 13.6 kg |
|  Jumper No. 2 Unit | 6.3"       | 12"        | 4.5"   | 9-10"      | 40 lbs  |
|  | 270 mm     | 310 mm     | 114 mm | 230-250 mm | 18.2 kg |
|  Jumper No. 3 Unit | 6.3"       | 12"        | 4.5"   | 9-10"      | 40 lbs  |
|  | 270 mm     | 310 mm     | 114 mm | 230-250 mm | 18.2 kg |
|  Jumper No. 4 Unit | 15"        | 16.5"      | 4.5"   | 9-10"      | 60 lbs  |
|  | 380 mm     | 420 mm     | 114 mm | 230-250 mm | 27.2 kg |

| Rivercrest® System Design/Construction Information |               |              |
|--|---------------|--------------|
| Minimum Inside/Outside Radius                      | Small curve   | 2.9'(880mm)  |
|  | Medium curve  | 3.5'(1060mm) |
|  | Large curve   | 4.5'(1370mm) |
| Application of Coping Unit                         | Use Adhesive  |              |
| Stacking Alignment                                 | Vertical      |              |
| Facing   | natural stone |              |
| Placement Method                                   | Hand          |              |



Engineering design by RisiStone Inc.



UNILOCK.COM | 1-800-UNILOCK